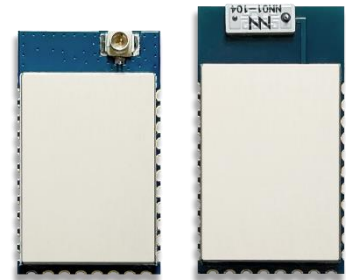


# RM-BE1

## Ultra-Low-Power Energy-Efficient Bluetooth® 5.0 Module with Harvesting Datasheet



---

The RM-BE1 is a Bluetooth® 5.0 Low-Energy module fully compliant with 2Mbit High-Throughput (HT) and Long-Range extensions.

RM-BE1 is based on Renesas energy-efficient RE01 MCU, featuring an Arm® Cortex®-M0+ core. RE01 is implemented on Silicon on Thin Buried Oxide (SOTB) process technology enabling for ultra-low current consumption in both active and standby mode and high-speed CPU operation (64MHz) at low voltage (1.62V).

The module power supply circuitry supports energy harvesting and rechargeable batteries, allowing for building devices that do not require battery replacement.

---

### KEY FEATURES

- 32-bit ARM® Cortex®-M0+ core
- High-speed operation 64MHz at low voltage 1.62V
- 1.5 MB code flash memory, 256 kB RAM
- Active current: 35µA/MHz, Standby current: 670nA
- Bluetooth 5.0 core specification compliant BLE supporting LE1M, 2M and Coded PHY.

# 1. Feature List

## MCU

- 32-bit ARM® Cortex®-M0+ core with MPU
- Maximum operating frequency: 64 MHz (in boost mode)
- ULP-CP score 705 certified by EEBC
- 1.5-Mbyte code flash memory
- 156-kB RAM

## POWER SAVING FUNCTIONS

- Back-bias control function based on silicon-on-thin-buried-oxide (SOTB™) process technology
- Operation at ultra-low power-supply voltages (from 1.62 V to 3.6 V)
- Four power control modes based on the operating frequency
- Four low power consumption modes
- Three power supply modes

## ENERGY HARVESTING CONTROL

- A power generation element is directly connectable
- High-speed startup is possible without having to wait for a secondary battery to be charged
- Protection of a secondary battery against overcharging

## DIMENSIONS

- RM-BE1-S1: 27.5 x 15.0 x 2.6 mm
- RM-BE1-U1: 26.0 x 15.0 x 2.6 mm

## RADIO FEATURES

- RF transceiver and link layer compliant with the Bluetooth 5.0 Low Energy specification
- Support for LE1M, 2M and Coded PHY and Extended Advertising
- Programmable RF output power up to +4 dBm

## ANALOG PERIPHERALS

- 14-bit successive approximation A/D
- Up to four analog input channels
- Ultra-low power operations, A/D conversion at about 4µA (1.68ksps with 32kHz low CL)

## DIGITAL PERIPHERALS

- 9x Timers (2x GPT, 2x AGT, 2x TMR, RTC, WDT, LST)
- Up to 3x I2C
- Up to 2x UART
- Up to 2x SPI

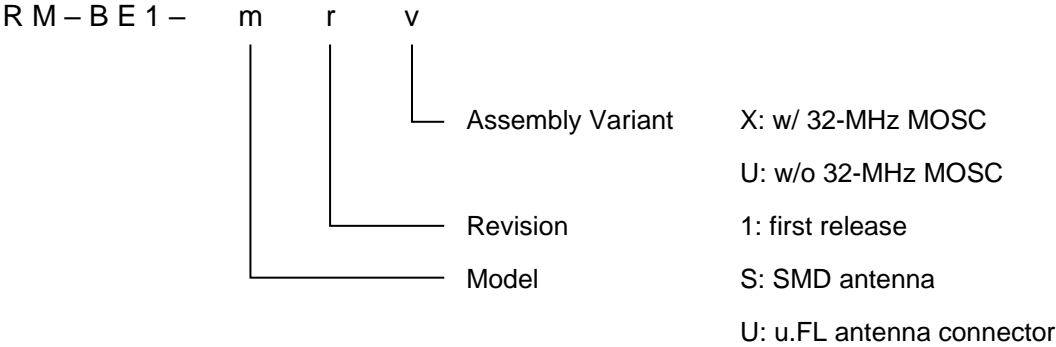
## ENVIRONMENTAL & REGULATORY

- Operating temperature range: -40÷85 °C

## 2. Ordering Information

Table 1 – Ordering information.

| Product Code | Antenna        | Flash  | RAM    | Main OSC 32-MHz |
|--------------|----------------|--------|--------|-----------------|
| RM-BE1-S1X   | SMD antenna    | 1.5 MB | 256 kB | XTAL Fitted     |
| RM-BE1-U1X   | u.FL connector | 1.5 MB | 256 kB | XTAL Fitted     |
| RM-BE1-S1U   | SMD antenna    | 1.5 MB | 256 kB | XTAL Not fitted |
| RM-BE1-U1U   | u.FL connector | 1.5 MB | 256 kB | XTAL Not fitted |



## Outline

|  |    |
|--|----|
| 1. Feature List.....                                   | 2  |
| 2. Ordering Information .....                          | 3  |
| 3. System Overview .....                               | 5  |
| 3.1. Module versions .....                             | 5  |
| 3.2. Block diagram .....                               | 5  |
| 4. Module Specifications .....                         | 6  |
| 4.1. General specifications .....                      | 6  |
| 4.2. Electrical specifications .....                   | 6  |
| 4.2.1 Nominal Operating Conditions.....                | 6  |
| 4.2.2 Absolute Maximum Ratings.....                    | 6  |
| 5. Connection Diagrams .....                           | 7  |
| 5.1. Normal mode.....                                  | 7  |
| 5.2. EHC mode.....                                     | 8  |
| 6. Layout Guidelines .....                             | 8  |
| 6.1. Recommended placement on the application PCB..... | 8  |
| 6.1.1 RM-BE1-S.....                                    | 8  |
| 6.1.2 RM-BE1-U.....                                    | 9  |
| 7. Pin Definitions.....                                | 10 |
| 7.1. Pin Numbering .....                               | 10 |
| 7.1.1 RM-BE1-S.....                                    | 10 |
| 7.1.2 RM-BE1-U.....                                    | 10 |
| 7.2. Pin Description .....                             | 11 |
| 8. Package Specifications.....                         | 13 |
| 8.1. Module dimensions .....                           | 13 |
| 8.1.1 RM-BE1-S.....                                    | 13 |
| 8.1.2 RM-BE1-U.....                                    | 13 |
| 8.2. Module land pattern.....                          | 14 |
| 8.2.1 RM-BE1-S.....                                    | 14 |
| 8.2.2 RM-BE1-U.....                                    | 15 |
| References .....                                       | 16 |
| Revision History .....                                 | 17 |

### 3. System Overview

The RM-BE1 is a Bluetooth® 5.0 Low-Energy module fully compliant with 2Mbit High-Throughput (HT) and Long-Range extensions.

RM-BE1 is based on Renesas energy-efficient RE01 MCU, featuring an Arm® Cortex®-M0+ core. RE01 is implemented on Silicon on Thin Buried Oxide (SOTB) process technology enabling for ultra-low current consumption in both active and standby mode and high-speed CPU operation (64MHz) at low voltage (1.62V).

The module power supply circuitry supports energy harvesting and rechargeable batteries, allowing for building devices that do not require battery replacement.

#### 3.1. Module versions

To provide designer with maximum integration flexibility, RM-BE1 module is available in two variants, featuring different antenna options. RM-BE1-S variant features an on-module SMD antenna whereas RM-SS2-U module option includes an u.FL RF connector.



RM-BE1-S



RM-BE1-U

#### 3.2. Block diagram

Module basic block diagrams are depicted in the image below.

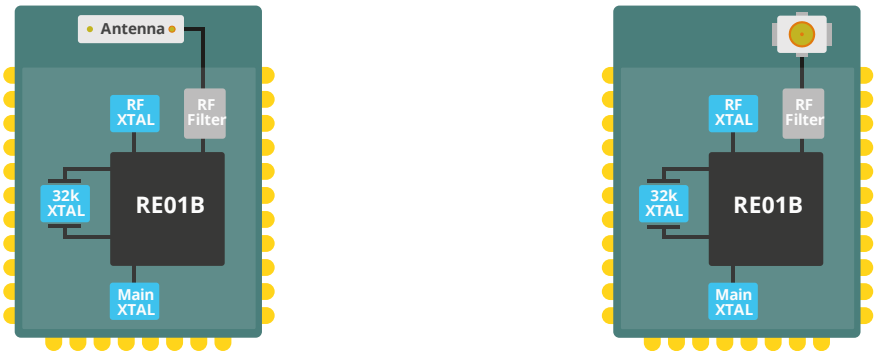


Figure 1 - Module block diagrams (RM-BE1-S – RM-BE1-U, respectively).

## 4. Module Specifications

### 4.1. General specifications

The following table describes the general specifications for the devices.

Table 2 – RM-SS2 module general specifications.

| Specification               | RM-BE1-S             | RM-BE1-U             |
|-----------------------------|----------------------|----------------------|
| Operating frequency bands   | 2402 ÷ 2480 MHz      |                      |
| Form factor                 | Surface mount        |                      |
| Dimensions                  | 27.5 x 15.0 x 2.6 mm | 26.0 x 15.0 x 2.6 mm |
| Operating temperature range | -40 to +85 °C        | -40 to +85 °C        |
| Antenna                     | SMD antenna          | u.FL connector       |

### 4.2. Electrical specifications

The following tables give detailed specifications for the RM-BE1 module series.  $T_{amb} = 25\text{ °C}$  for all specifications given, if not differently specified.

#### 4.2.1 Nominal Operating Conditions

Table 3 – RM-SS2 module electrical specifications.

| Parameter                                   | Min  | Typ | Max | Units | Condition/Notes |
|---|------|-----|-----|-------|-----------------|
| Operating Temperature                       | -40  |     | +85 | °C    |                 |
| Supply Voltage<br>(VDD_MCU, VDD_RF, VDD_UM) | 1.62 | 3.3 | 3.6 | V     |                 |

#### 4.2.2 Absolute Maximum Ratings

Table 4 – RM-SS2 module absolute maximum ratings.

| Parameter                                 | Min  | Max | Units |
|---|------|-----|-------|
| Power Supply Voltage<br>(VDD_x, VBAT_EHC) | -0.3 | 4.0 | V     |

|                             |      |                           |    |
|-----------------------------|------|---------------------------|----|
| Input Voltage               | -0.3 | VCC + 0.3<br>(max. 4.0 V) | V  |
| Analog Power Supply Voltage | -0.3 | 4.0                       | V  |
| Storage Temperature         | -55  | +125                      | °C |
| Operating Temperature       | -40  | +95                       | °C |

Stresses beyond those listed in this table may cause permanent damage to the device. This is a stress rating only; functional operation of the device at these or any other conditions beyond those indicated in the operating conditions of the specification is not implied. Exposure to the absolute maximum rating conditions for extended periods may affect device reliability. MCU absolute maximum ratings are detailed in [1].

## 5. Connection Diagrams

Connect RM-BE1 module according to the following guidelines.

### 5.1. Normal mode

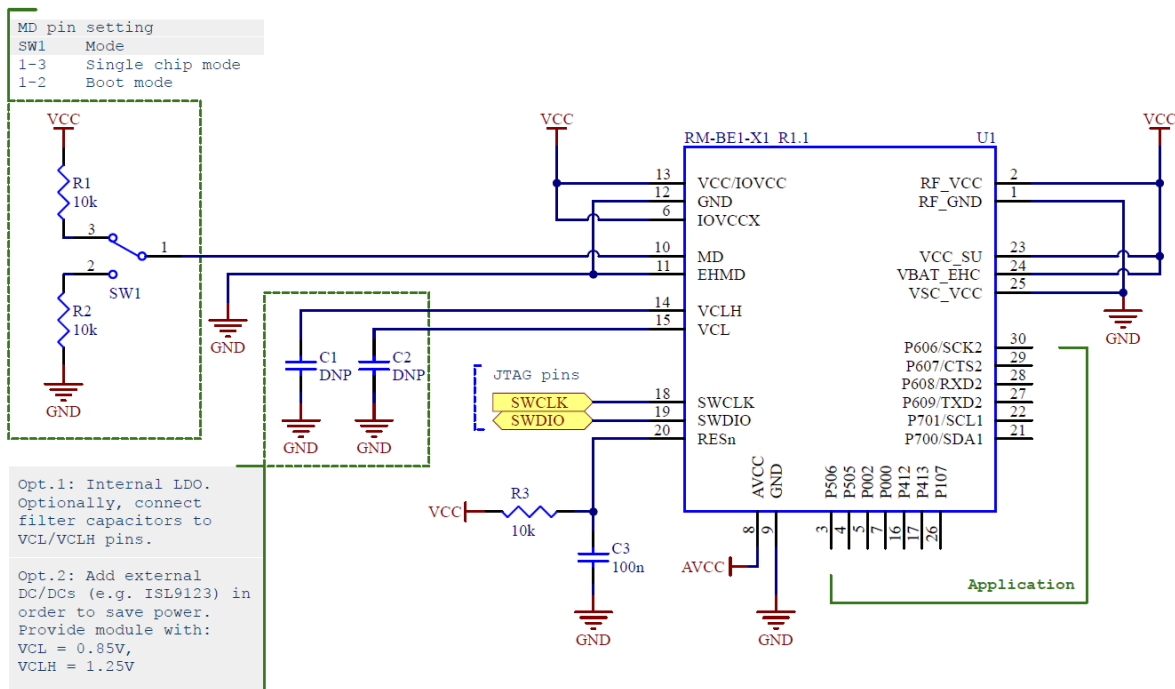


Figure 2 - Module connection diagram for Normal mode operations.

## 5.2. EHC mode

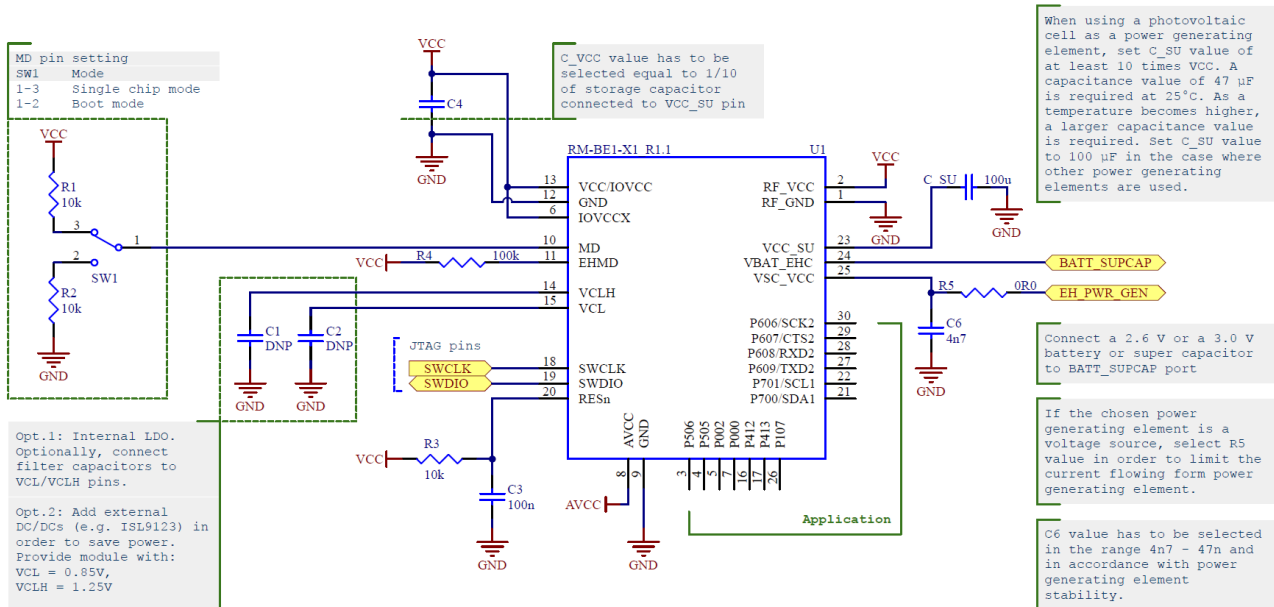


Figure 3 - Module connection diagram for Harvesting mode operations.

## 6. Layout Guidelines

### 6.1. Recommended placement on the application PCB

#### 6.1.1 RM-BE1-S

For optimal performance of the RM-BE1-S module with on-board SMD antenna, please follow these guidelines:

- Place the module at the edge of the PCB, as shown in Figure 4.
- Do not place any metal (traces, components, battery, etc.) within the clearance area of the antenna.
- Connect all ground pads directly to a solid ground plane.
- Place the ground vias as close to the ground pads as possible.



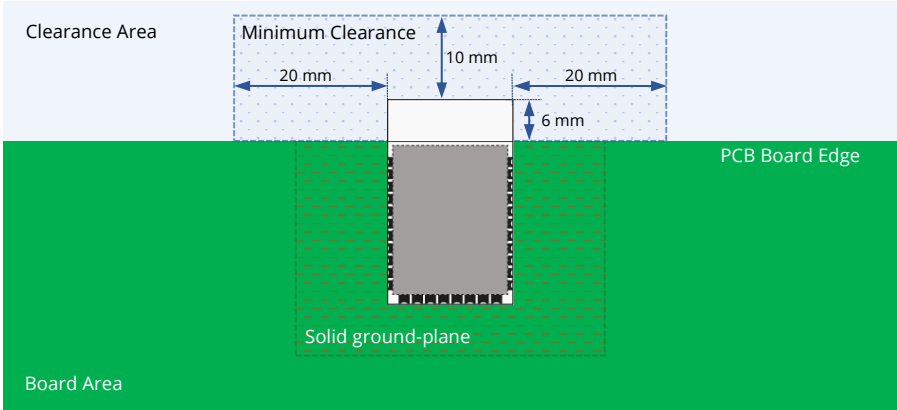


Figure 4 - Placement guidelines for RM-BE1-S device.

**6.1.2 RM-BE1-U**

For optimal performance of the RM-BE1-U module with u.FL antenna, please follow these guidelines:

- Place the module in the preferred position on the PCB. Module can be entirely placed on the PCB area, as depicted in Figure 5 below.
- Connect all ground pads directly to a solid ground plane.
- Place the ground vias as close to the ground pads as possible.

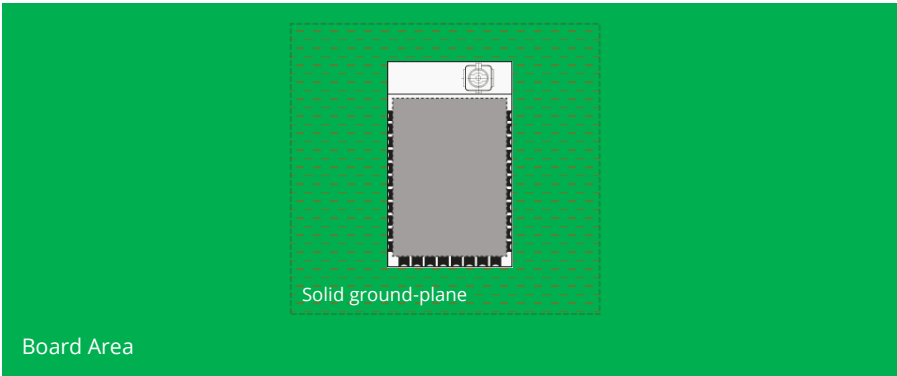


Figure 5 - Placement guidelines for RM-BE1-U device.

## 7. Pin Definitions

### 7.1. Pin Numbering

#### 7.1.1 RM-BE1-S

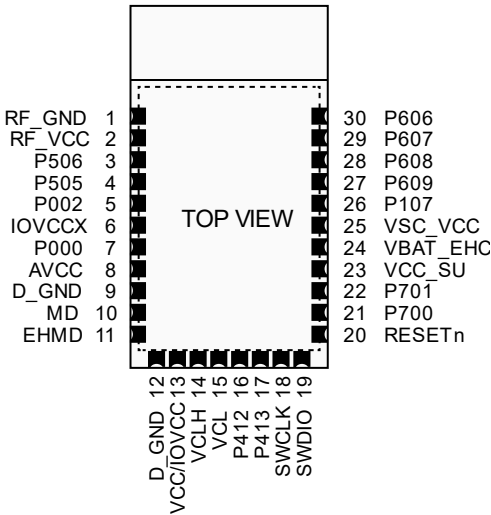


Figure 6 – RM-BE1-S pinout

#### 7.1.2 RM-BE1-U

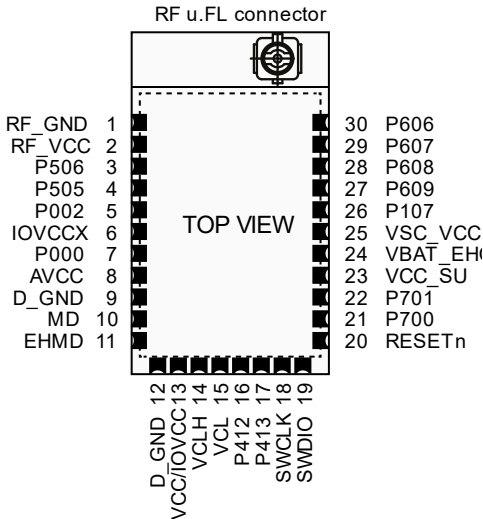


Figure 7 - RM-BE1-U pinout.

## 7.2. Pin Description

Device pinout is detailed in the table below. Several RE01B MCU ports and peripherals are routed to the module pins, providing designer with access to microcontroller main functionalities (see “MCU Pin #” column). Main module pin functionalities are detailed in the Description column. For a detailed description, please check MCU pin functions in [1] .

Table 5 – RM-BE1 module pin connections and descriptions.

| Pin # | Pin Name              | Type                 | Description   | MCU Pin #              |
|-------|-----------------------|----------------------|---|------------------------|
| 1     | RF_GND                | GND                  | Ground Connection – RF Section                          | 32-65                  |
| 2     | RF_VCC                | Power Supply         | Power Supply – RF Section<br>Input (1.62 V ÷ 3.6 V)     | 2-48                   |
| 3     | MCU_P506              | Digital I/O – Analog | GPIO / IRQ0_C / AN028                                   | 51                     |
| 4     | MCU_P505              | Digital I/O – Analog | GPIO / IRQ1_C / AN028                                   | 52                     |
| 5     | MCU_P002              | Digital I/O – Analog | GPIO / AN002  | 58                     |
| 6     | IOVCCX                | Power Supply         | Power supply – Bank 1-2 (IOVCC1 / IOVCC2)               | 28-40                  |
| 7     | MCU_P000              | Digital I/O – Analog | GPIO / AN000  | 61                     |
| 8     | AVCC                  | Power Supply         | Power Supply – Analog Section<br>Input (1.62 V ÷ 3.6 V) | 62-63                  |
| 9     | D_GND                 | GND                  | Ground Connection – Digital Section                     | 1-6-19-23-<br>29-41-55 |
| 10    | MD                    | Boot Config          | Start-up Mode Selection (Boot Mode)                     | 17                     |
| 11    | EHMD                  | Boot Config          | Start-up Mode Selection (Power Mode)                    | 12                     |
| 12    | D_GND                 | GND                  | Ground Connection – Digital Section                     | 1-6-19-23-<br>29-41-55 |
| 13    | VCC/IOVCC             | Power Supply         | Power Supply Input (1.8 V ÷ 3.6 V)                      | 9-54                   |
| 14    | VCLH                  | Power Supply         | Internal Core Power Supply                              | 3                      |
| 15    | VCL                   | Power Supply         | Internal Core Power Supply                              | 10                     |
| 16    | MCU_P412 <sup>1</sup> | Digital I/O          | GPIO / RXD3 / GTETRGB_A                                 | 8                      |

<sup>1</sup> Do not use P412 pin with RM-BE1-□□X variants. Detailed pin functionality only applies to RM-BE1-□□U variants.

|    |                       |                |   |    |
|----|-----------------------|----------------|---|----|
| 17 | MCU_P413 <sup>2</sup> | Digital I/O    | GPIO / RXD3 / GTETRGA_A                                   | 7  |
| 18 | SWCLK                 | SWD Interface  | Serial wire clock input pin                               | 11 |
| 19 | SWDIO                 | SWD Interface  | Serial wire data I/O pin                                  | 15 |
| 20 | RESETn                | System Control | Reset signal input pin – active low                       | 16 |
| 21 | MCU_P700              | Digital I/O    | SDA1 / TMO1   | 26 |
| 22 | MCU_P701              | Digital I/O    | SCL1 / TMRI1 / RTCIC2_B                                   | 25 |
| 23 | VCC_SU                | Power Supply   | Power supply from storage capacitor                       | 20 |
| 24 | VBAT_EHC              | Power Supply   | Power supply pin supplied from a secondary battery        | 21 |
| 25 | VSC_VCC               | Power Supply   | Power supply pin supplied from a power generation element | 22 |
| 26 | MCU_P107              | Digital I/O    | AGTOB1_A / IRQ7_A / KRM07_A                               | 42 |
| 27 | MCU_P609              | Digital I/O    | TXD2_C / SSDA2_C / MOSI2_C / MOSIB_B                      | 33 |
| 28 | MCU_P608              | Digital I/O    | RXD2_C / SSCL2_C / MISO2_C / MISOB_B                      | 34 |
| 29 | MCU_P607              | Digital I/O    | CTS2_C / RTS2_C / SS2_C / RSPCKB_B                        | 35 |
| 30 | MCU_P606              | Digital I/O    | SCK2_C / SSLB2_B  | 36 |

<sup>2</sup> Do not use P413 pin with RM-BE1-□□X variants. Detailed pin functionality only applies to RM-BE1-□□U variants.

## 8. Package Specifications

### 8.1. Module dimensions

#### 8.1.1 RM-BE1-S

The figure below shows the RM-BE1-S module dimensions.

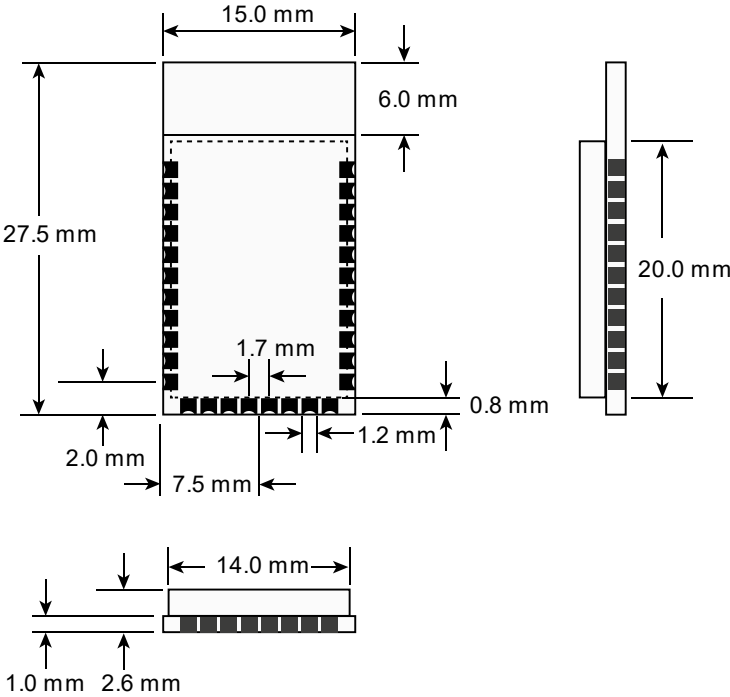


Figure 8 - RM-BE1-S module dimensions.

#### 8.1.2 RM-BE1-U

The figure below shows the RM-BE1-U module dimensions.

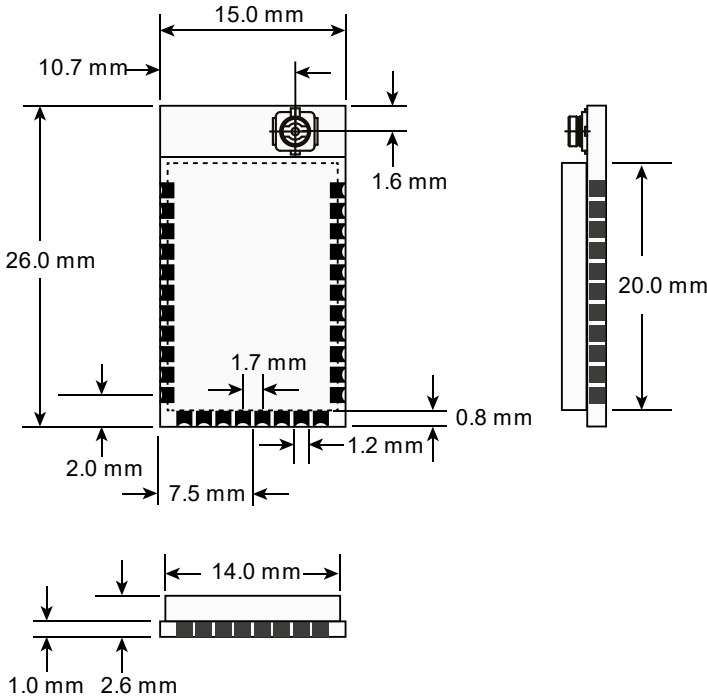


Figure 9 - RM-SS2-U module dimensions.

## 8.2. Module land pattern

### 8.2.1 RM-BE1-S

The figure below shows the RM-BE1-S module recommended land pattern.

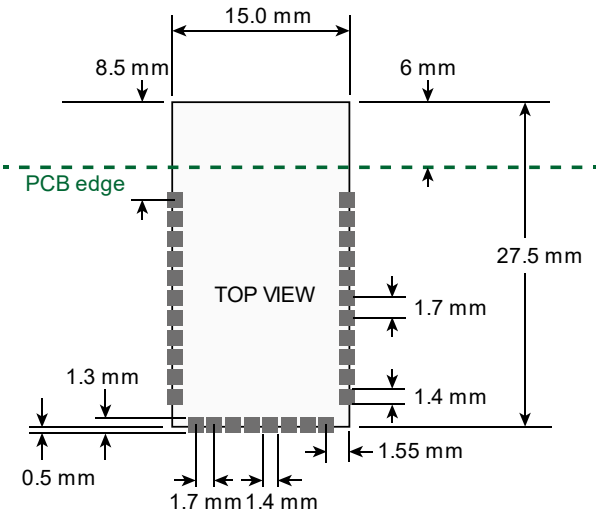


Figure 10 - RM-BE1-S suggested footprint.

8.2.2 RM-BE1-U

The figure below shows the RM-BE1-U module recommended land pattern.

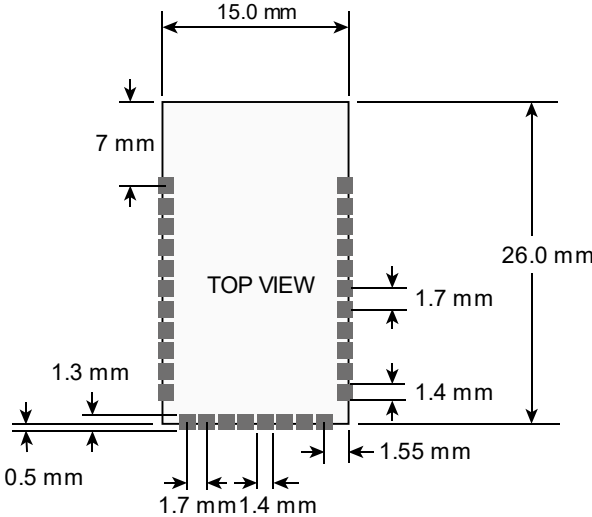


Figure 11 - RM-BE1-U suggested footprint.

## References

- [1] Renesas Electronics Corporation, "RE01B Group Product with 1.5-Mbyte Flash Memory - Datasheet", R01DS0384EJ0100, Rev.1.00, Oct 07, 2020 [available online]

<https://www.renesas.com/us/en/document/dst/re01b-group-product-15-mbyte-flash-memory-datasheet>



# Revision History

| REVISION | DATE       | STATUS / COMMENTS    | AUTHOR |
|----------|------------|----------------------|--------|
| 0.4      | 12/05/2021 | Preliminary release  | AR     |
| 1.0      | 27/10/2021 | First issued edition | LDB    |
|          |            |                      |        |
|          |            |                      |        |
|          |            |                      |        |
|          |            |                      |        |
|          |            |                      |        |
|          |            |                      |        |

**RELOC s.r.l.**

Registered and operative office  
Strada Langhirano 264/3A  
I-43124 Parma – Italy

**Web**

[www.reloc.it](http://www.reloc.it)

**Support e-mail**

[support@reloc.it](mailto:support@reloc.it)

Phone: +39-0521-649116

E-mail: [info@reloc.it](mailto:info@reloc.it)

All trademarks mentioned in this document are the property of their respective owners.

No part of the contents of this manual may be transmitted or reproduced in any form or by any means without the written permission of RELOC s.r.l.

Information in this document is subject to change without notice and does not represent a commitment on the part of RELOC.

RELOC provides this document “as is,” without warranty of any kind, either expressed or implied, including, but not limited to, the implied warranties of fitness or merchantability for a particular purpose. RELOC may make improvements and/or changes in this manual or in the product(s) and/or the program(s) described in this manual at any time. This document could include technical inaccuracies or typographical errors. Changes are periodically made to the information herein; these changes may be incorporated in new editions of the publication.

© RELOC s.r.l. 2021. All rights reserved.